

B Inverter Dimension

Model	IP 20 Enclosure (mm)				
	W	H	D	W1	H1
R500AC/BC 0001AC/BC 0002BC	90	163	147	78	150
0002AC 0003AC/BC 0005BC	128	187	148	114.6	170.5
7R50BC 0010BC 0015BC	186	260	195	173	244
0025BC 0030BC 0040BC	265	360	248	245	340
JNTHBCBA- 0001BE 0002BE	269	652	277	210	530
0003BE 0005BE 7R50BE	128	187	148	114.6	170.5
0010BE 0015BE 0020BE	186	260	195	173	244
0030BE 0040BE 0050BE	265	360	248	245	340
0060BE 0075BE	269	553	304	210	530
	308	653	309	250	630

NEMA1 Enclosure(mm) : 220V 15~25HP
440V 20~30HP

B Braking Resistor

Resistor Model	Inverter Capacity	Specification of brake resistor		Brake resistor ED%	Brake torque %
		W	Ω		
150W200	R500AC/BC	150	200	10	238
150W200	0001AC/BC	150	200	10	119
150W100	0002AC/BC	150	100	10	119
260W70	0003AC/BC	260	70	10	115
390W40	0005BC	390	40	10	119
520W30	7R50BC	520	25	10	108
780W20	0010BC	780	20	10	119
150W750	0001BE	150	750	10	126
150W400	0002BE	150	400	10	119
260W250	0003BE	260	250	10	126
400W150	0005BE	400	150	10	126
600W130	7R50BE	600	100	10	102
800W100	0010BE	800	80	10	99
JNBR-1R6KW50	0015BE	1600	40	10	126
2R4KW13R6	0015BC	2400	13.6	10	117
3KW10	0020BC	3000	10	10	119
4R8KW8	0025BC	4800	8	10	119
4R8KW6R8	0030BC	4800	6.8	10	117
3KW10	0040BC	3000	10	10	119
1R5KW40	0020BE	1500	40	10	119
4R8KW32	0025BE	4800	32	10	119
4R8KW27R2	0030BE	4800	27.2	10	117
6KW20	0040BE	6000	20	10	119
4R8KW32	0050BE	4800	32	10	119
4R8KW27R2	0060BE	4800	27.2	10	117
6KW20	0075BE	6000	20	10	126

NOTE: *1 The quantity of braking resistors should be 2
*2 above 25HP, please add Braking Unit : 200V JNTBU-230
400V JNTBU-430
400V JUVPHV-0060
About the detail information, please contact with your supplier

F Filter

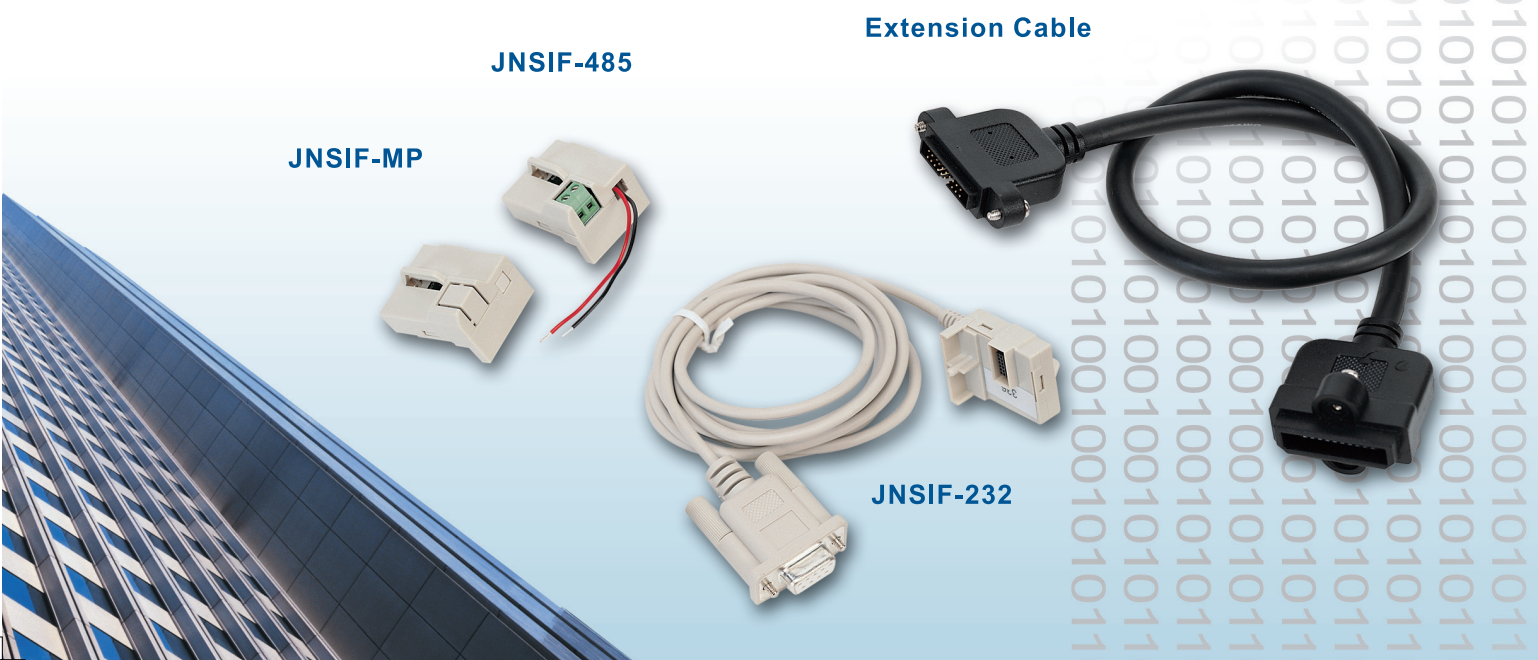
Model	Rated	Inverter Model/EN 61800-3	
		Second Environment	First Environment
FS6146 - 11 - 07	1Ø170 - 264V	R500 / 0001 - AC - U	R500 / 0001 - AC - UF
FS6146 - 27 - 07	1Ø170 - 264V	0002 / 0003 - AC - U	0002 / 0003 - AC - UF
FS6147 - 8.9 - 07	3Ø170 - 264V	R500 / 0001 / 0002 - BC - U	NA
FS6147 - 19 - 07	3Ø170 - 264V	0003 / 0005 - BC - U	NA
FS6147 - 39 - 07	3Ø170 - 264V	7R50 / 0010 - BC - U	NA
FS6149 - 4.6 - 07	3Ø323 - 528V	0001 / 0002 - BE - U	0001 / 0002 - BE - UF
FS6149 - 10 - 07	3Ø323 - 528V	0003 / 0005 - BE - U	0003 / 0005 - BE - UF
FS6149 - 28 - 07	3Ø323 - 528V	7R50 / 0010 / 0015 - BE - U	7R50 / 0010 / 0015 - BE - UF
JUNF34048S-MA	3Ø323 - 528V	0020-BE-U	NA
KMF370A	3Ø323 - 528V	0025 / 0030 - BE - U	NA
KMF3100A	3Ø323 - 528V	0040 / 0050 - BE - U	NA
KMF3150A	3Ø323 - 528V	0060-BE-U	NA
KMF3180A	3Ø323 - 528V	0075-BE-U	NA

G Extension Cable

Extension Cable Model	Digital Operator Model	Inverter Model
JNSW30P5 (0.5M)		
JNSW3001 (1M)	JNSDOP - LED	JNTHBCBA - R500 - 0040AC / BC
JNSW3002 (2M)	JNSDOP - LCD	0001 - 0075BE
JNSW3003 (3M)		
JNSW3005 (5M)		

Option Card

- JNSIF - 232 (RS-232)
- JNSIF - 485 (RS-485)
- JNSIF - MP (Memory pack)



TECO TECO ELECTRIC & MACHINERY CO., LTD.

GJ-25-04 2005-09-09

TECO INVERTER 7300 CV

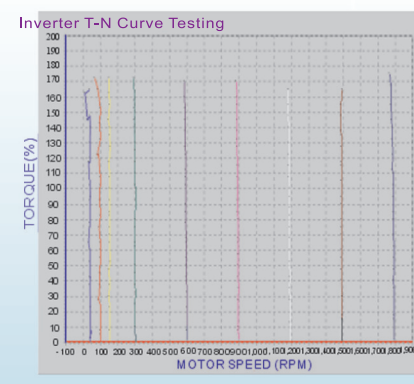
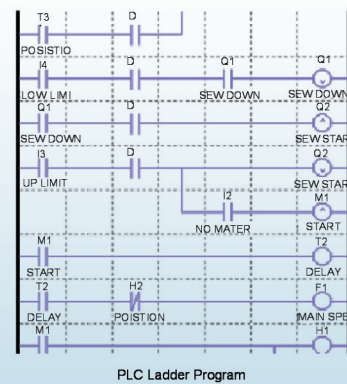


TECO INVERTER 7300 CV



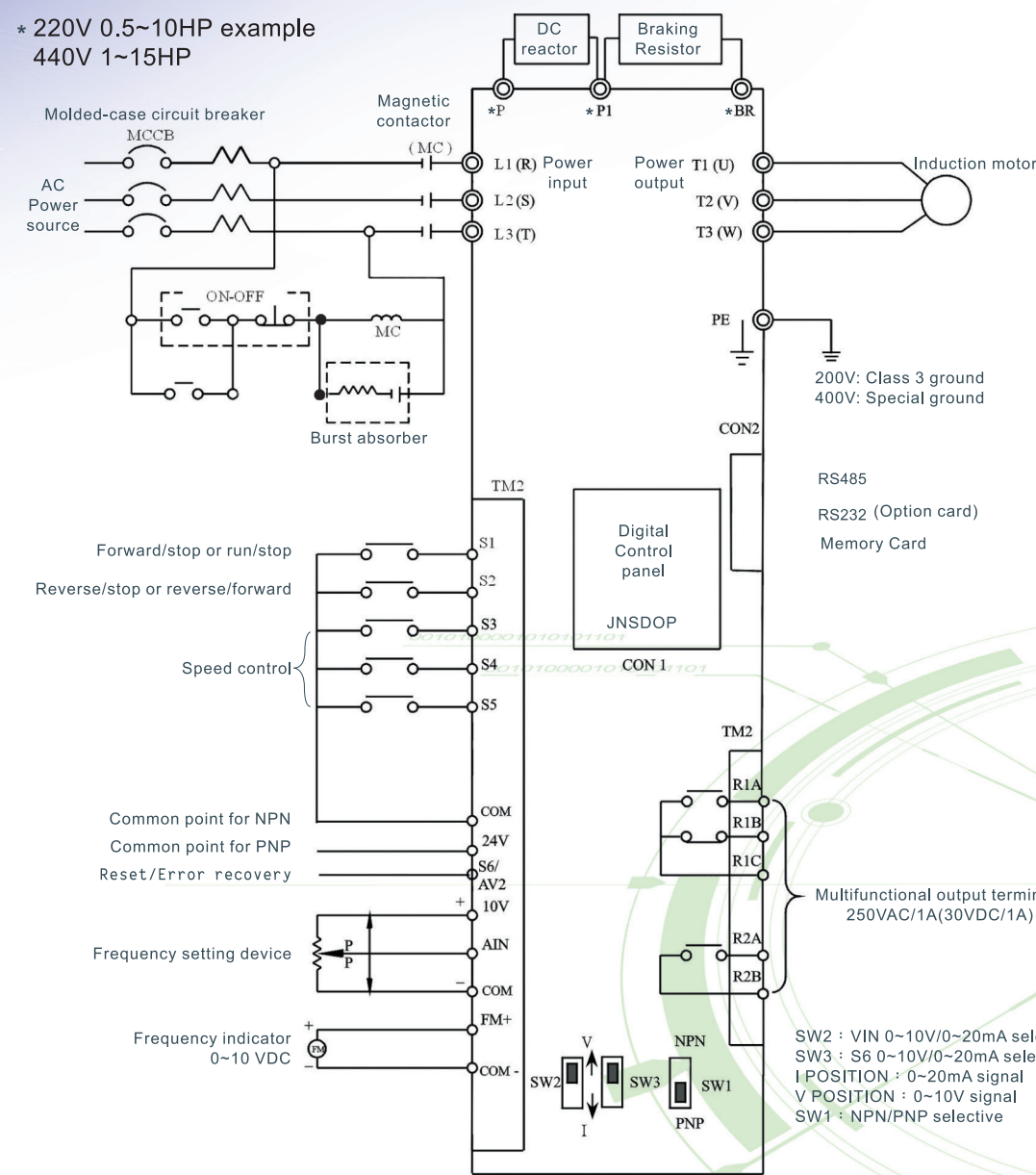
Feature

- Sensorless Vector Control
- 150% Starting Torque
- Built-in PLC Function
- LED/LCD Keypad Display
- NPN/PNP Digital Input
- PID Function
- Braking Transistor built-in
- Copy Unit (Memory pack) Function
- PC (Windows)/ PDA (WinCE) Link Function
- RS-485 Modbus RTU/ASCII mode
- Field Bus Communication Modules (Option)
 - Profibus-DP
 - DeviceNet
- EMC Filter Built-in
- Global Standards: UL , cUL , CE



7300CV Wiring Diagram

* 220V 0.5~10HP example
440V 1~15HP



Model Number

Series	Keypad Panel	Enclosure	Horsepower	Phase of Input Power	UL Approval	Noise Filter
JNTH	BC	BA	0001	AC — U	F	
BC	LED*	BA	R500 : 0.5 HP	AC: Single phase 220V	U: Yes	Blank: None
BG	LCD*	Open	0075 : 75 HP	BC: Three phase 220V		F: Built-in
BL	Blind*	chassis (IP20)		BE: Three phase 440V		
		BB: Enclosed Wall-mounted type (NEMA1)				

*BC:LED (Standard)
BG:LCD/BL:Blind (Production by order base)
BB: only for 200V 15~25HP/400V 20~30HP

7300CV Specifications

Model	Single phase 200~240V model				Three phases, 200~240V model													
	JNTH	BCBA	□□□□	AC-U(F)	R500	0001	0002	0003	0005	7R50	0010	0015	0020	0025	0030	0040		
Horsepower (HP)	0.5	1	2	3	0.5	1	2	3	5	7.5	10	15	20	25	30	40		
Suitable Motor Capacity (KW)	0.4	0.75	1.5	2.2	0.4	0.75	1.5	2.2	3.7	5.5	7.5	11	15	18.5	22	30		
Rated Output Current (A)	3.1	4.5	7.5	10.5	3.1	4.5	7.5	10.5	17.5	26	35	48	64	80	96	130		
Rated Capacity (KVA)	1.2	1.7	2.9	4.0	1.2	1.7	2.9	4.0	6.7	9.9	13.3	20.6	27.4	34	41	54		
Max. Input Voltage	Single Phase: 200~240V +10% -15% · 50/60HZ ± 5%				Three Phases: 200~240V +10% -15% · 50/60HZ ± 5%													
Max. Output Voltage	Three phases: 0~240V				Three phases: 0~240V													
Input Current (A)	8.5	12	16	23.9	4.5	6.5	11	12.5	20.5	33	42	57	70	85	108	138		
Net Weight / with Filter (KG)	1.2/1.3	1.2/1.3	1.5/1.8	1.9/2.3	1.2	1.2	1.2	1.75	1.9	5.6	5.6	15	15	15	33	34		
Allowable momentary power loss time (second)	1.0	1.0	2.0	2.0	1.0	1.0	2.0	2.0	2.0	2.0	2.0	2.0	2.0	2.0	2.0	2.0		
Enclosure	IP20 (BA)				IP20 (BA)						NEMA1 (BB)						IP00 (BA)	

Model	Three phases 380~480V model																	
	JNTH	BCBA	□□□□	BE-U(F)	0001	0002	0003	0005	7R50	0010	0015	0020	0025	0030	0040	0050	0060	0075
Horsepower (HP)	1	2	3	5	7.5	10	15	20	25	30	40	50	60	75				
Suitable Motor Capacity (KW)	0.75	1.5	2.2	3.7	5.5	7.5	11	15	18.5	22	30	37	45	55				
Rated Output Current (A)	2.3	3.8	5.2	8.8	13.0	17.5	25	32	40	48	64	80	96	128				
Rated Capacity (KVA)	1.7	2.9	4.0	6.7	9.9	13.3	19.1	27.4	34	41	54	68	82	110				
Max. Input Voltage	Three phases: 380~480V +10% -15% · 50/60HZ ± 5%																	
Max. Output Voltage	Three phases: 0~480V																	
Input Current (A)	4.2	5.6	7.3	11.6	17	23	31	38	48	56	75	92	112	142				
Net Weight / with Filter (KG)	1.2/1.3	1.2/1.3	1.8/2.2	1.8/2.2	5.6/6.6	5.6/6.6	5.6/6.6	15	15	15	33	33	50	50				
Allowable momentary power loss time (second)	1.0	1.0	2.0	2.0	2.0	2.0	2.0	2.0	2.0	2.0	2.0	2.0	2.0	2.0	2.0	2.0	2.0	2.0
Enclosure	IP20 (BA)						NEMA1 (BB)						IP00 (BA)					

ITEM	7300CV TYPE
Control mode	V/F or Sensorless Vector Control
Range	0.1~650.0Hz
Start control torque	150% / 1Hz (Vector mode)
Speed control range	1:50 (Vector mode)
Speed control precision	±0.5% (Vector mode)
Setting resolution	Digital: 0.01Hz (Note *1); Analog: 0.06Hz/60Hz (10bits)
Keypad setting	Set directly with ▲▼ key or the VR on the keypad
Display function	Four digital LED (or 2x16 LCD) and status indicator; display frequency/ speed/ line speed/ DC voltage/ Output voltage/ Current/ Rotation direction/ Inverter parameter/ Trouble Log/ Program Version
External signal setting	1. External variable resistor / 0-5V / 0-10V / 4-20mA / 5-0V / 10-0V / 20-4mA 2. Performs up/down controls, speed control or automatic procedure control with multifunctional contacts on the terminal block (TM2)
Frequency limit function	Respectively setting upper/lower frequency limits and three-stage prohibited frequencies
Carrier frequency	2~16kHz
V/F pattern	18 fixable patterns, 1 programmable pattern
Acc/Dec control	Two-stage Acc/Dec time (0.1~3,600 seconds) and two-stage S curve
Multifunctional analog output	6 functions (refer to description on 8-00/8-01)
Multifunctional input	30 functions (refer to description on 5-00/5-06)
Multifunctional output	16 functions (refer to description on 8-02/8-03)
Digital input signal	NPN/PNP toggle
Other function	Momentary Power Loss Restart, Speed Search, Overload Detection, 8 Preset Speeds, Acc/Dec Switch (2 Stages), S Curve, 3-wire Control, PID Control, Torque Boost, Slip Compensation, Frequency Upper/ Lower Limit, Auto Energy Saving, Modbus Slave and PC/PDA Link, Auto Restart, Built-in PLC Function.
Communication control	1. Control by RS232 or RS485 2. One-to-one or One-to-many (RS485 ONLY) control. 3. BAUD RATE/STOP BIT/PARITY/bit can be set
Braking torque	About 20%, the model built-in braking transistor and connected braking resistor is 100%
Operation temperature	-10~50°C (note *2)
Storage temperature	-20~60°C
Humidity	0~95% Relative Humidity (Non-condense)
Vibration	1G (9.8m/s ²)
EMC	Comply with requirement EN 61800-3
LVD	Comply with requirement EN 50178
Enclosure	IP 20 (Nema 1 by external box attached)
Safety level	UL 508C
Overload protection	The relays to protect the motor (the curve can be set) and the inverter(150% / 1min)
FUSE protection	The motor stops after FUSE melt
Over voltage	200V class: DC Voltage > 410V 400V class: DC Voltage > 820V
Under voltage	200V class: DC Voltage < 190V 400V class: DC Voltage < 380V
Momentary power loss terminal	Stop for more than 15ms-power-loss can be restarted with Speed Search after momentary power loss in Max. 2 sec
Stall prevention	Stall prevention for Acceleration / Deceleration / Operation
Short-circuit output terminal	Electronic Circuit Protection
Grounding fault	Electronic Circuit Protection
Other function	Protection for overheating of heat sink, over torque detection, error contact control, reverse restriction, restrictions for direct start after power up and error recovery, parameter lock up.

Note 1: The setting resolution of above 100Hz is 0.1Hz when controlled with operation keypad, and 0.01 Hz when controlled using computer (PC) or programmable controller (PLC).
Note 2: -10~50°C in distributor (without dustproof cover / pastar), -10°C~40°C outside distributor (with dustproof cover / pastar).